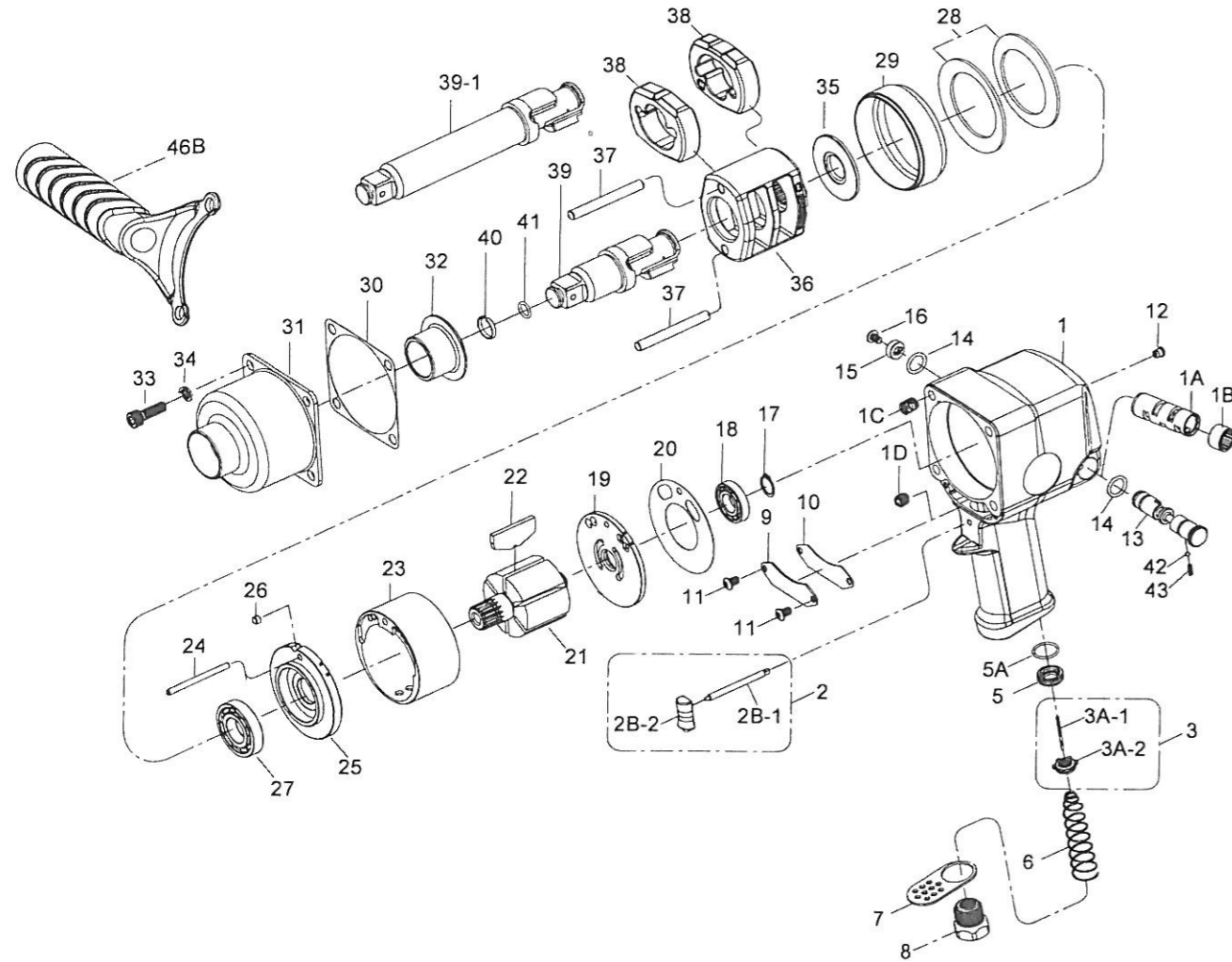


3/4" SQ. DR. SUPER DUTY IMPACT WRENCH



KP-1030

INDEX NO.	DESCRIPTION	REQ'D NO.	INDEX NO.	DESCRIPTION	REQ'D NO.
★ 1	Housing Assembly (incl.1A.1B.1C (4),1D.12)	1	20	Gasket	1
1A	Reverse Valve Bushing	1	21	Rotor	1
1B	Reverse Valve Bushing Gear	1	22	Rotor Blade	6
1C	Heli-Coil	4	23	Cylinder	1
1D	Set Screw	1	24	Cylinder Dowel	1
★ 2	Trigger Assembly (incl.2B-1.2B-2)	1	★ 25	Front End Plate Assembly (incl.27)	1
2B-1	Trigger Pin	1	26	Pin	1
2B-2	Trigger	1	27	Ball Bearing	1
★ 3	Throttle Valve Assembly (incl.3A-1.3A-2)	1	28	Motor Clamp Washer	2
3A-1	Throttle Valve Pin	1	29	Separator	1
3A-2	Throttle Valve	1	30	Gasket	1
5	Throttle Valve Seat	1	31	Hammer Case	1
5A	O-Ring	1	32	Bushing	1
6	Spring	1	33	Screw	4
7	Exhaust Deflector	1	34	Spring Washer	4
8	Air Inlet	1	35	Washer	1
9	Housing Plate	1	36	Hammer Frame	1
10	Gasket	1	37	Hammer Pin	2
11	Screw	2	38	Hammer	2
12	Grease Fitting	1	39	Standard Anvil (for KI-30)	1
13	Reverse Valve	1	39-1	6" Extended Anvil (for KI-30-6)	1
14	O-Ring	2	40	Socket Retainer	1
15	Reverse Valve Knob	1	41	O-Ring	1
16	Screw	1	42	Steel Ball	1
17	Retainer	1	43	Spring	1
18	Ball Bearing	1	46B	Handle (Option)	1
★ 19	Rear End Plate Assembly (incl.18)	1	TK	Tune-Up Kit (5A.6.14 (2),17.18.20.22 (6),27.30.40.41.42.43.)	1

★ Must be Purchased in Assembly Set

PA2-00030-4 20090403R1