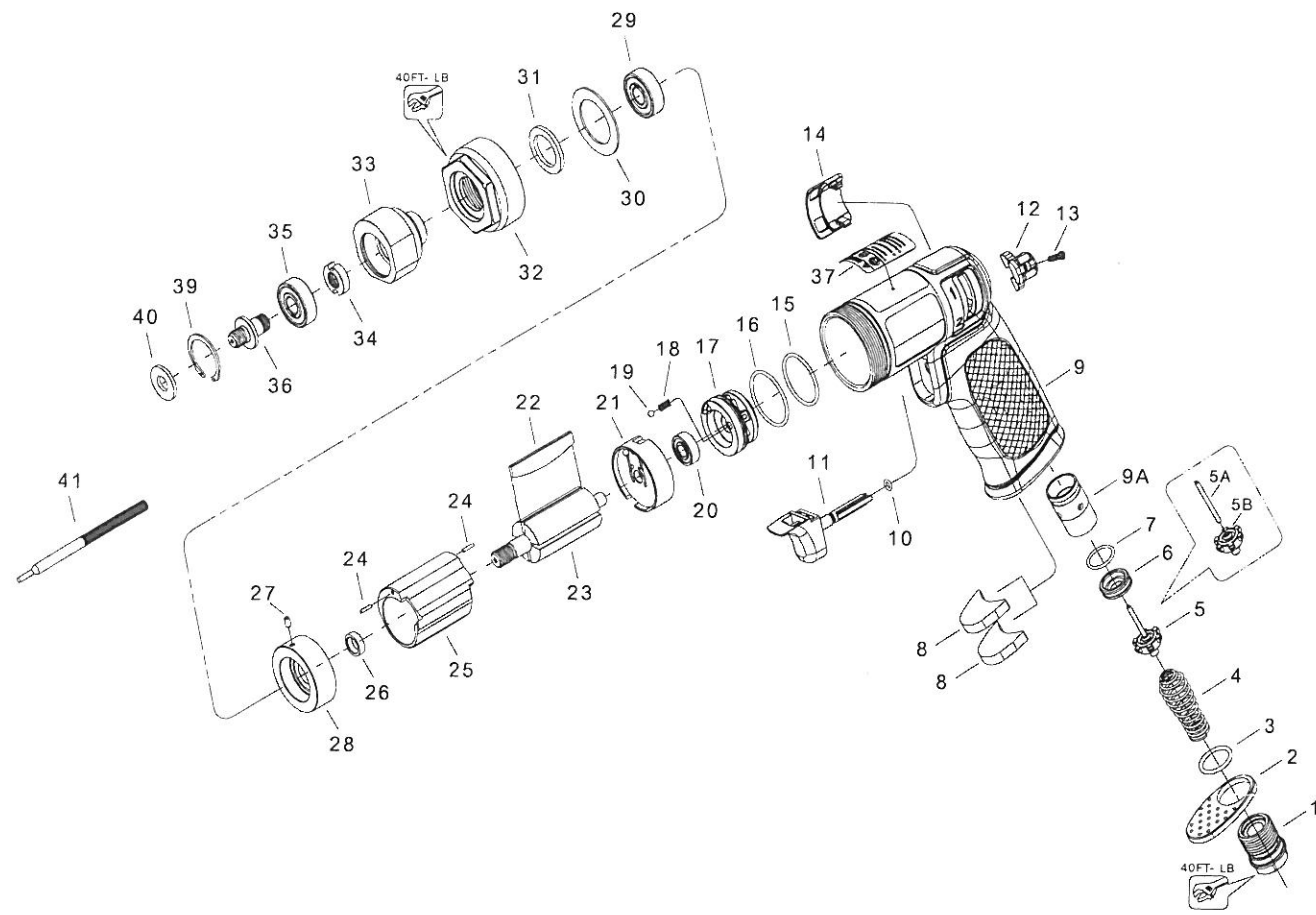


3" HEAVY DUTY MINI AIR ORBITAL SANDER



6628

INDEX NO.	DESCRIPTION	REQ'D NO.	INDEX NO.	DESCRIPTION	REQ'D NO.
1	Air Inlet	1	20	Ball Bearing	1
2	Exhaust Deflector	1	21	Rear End Plate	1
3	O-Ring	1	22	Rotor Blade	5
4	Spring	1	23	Rotor	1
★ 5	Throttle Valve Assembly (incl.5A.5B)	1	24	Spring Pin	2
● 5A	Throttle Valve Pin	1	25	Cylinder	1
● 5B	Throttle Valve	1	26	Rotor Collar	1
● 6	Throttle Valve Seat	1	27	Spring Pin	1
● 7	O-Ring	1	28	Front End Plate	1
8	Muffler Element	2	29	Ball Bearing	1
★ 9	Motor Housing Assembly (incl 6.7.9A)	1	30	Washer	1
● 9A	Guide Tube	1	31	Felt Seal	1
10	O-Ring	1	32	Clamp Nut	1
11	Trigger	1	33	Hub	1
12	Reverse Knob	1	34	Random Shaft Nut	1
13	Screw	1	35	Ball Bearing	1
14	Reverse Plate	1	36	Random Shaft	1
15	O-Ring	1	37	Warning Lable	1
16	O-Ring	1	39	Retaining Ring	1
17	Reverse Valve	1	40	Washer	1
18	Spring	1	41	Bar Spanner	1
19	Steel Ball	1	TK	Tune-Up Kit { 2.4.7.10.15.16.18.19.20.22 (5).29.35 }	

★ Must be Purchased in Assembly Set

● Recommended not to be purchased alone due to assembly difficult

PA5-06628-1

20100810R1