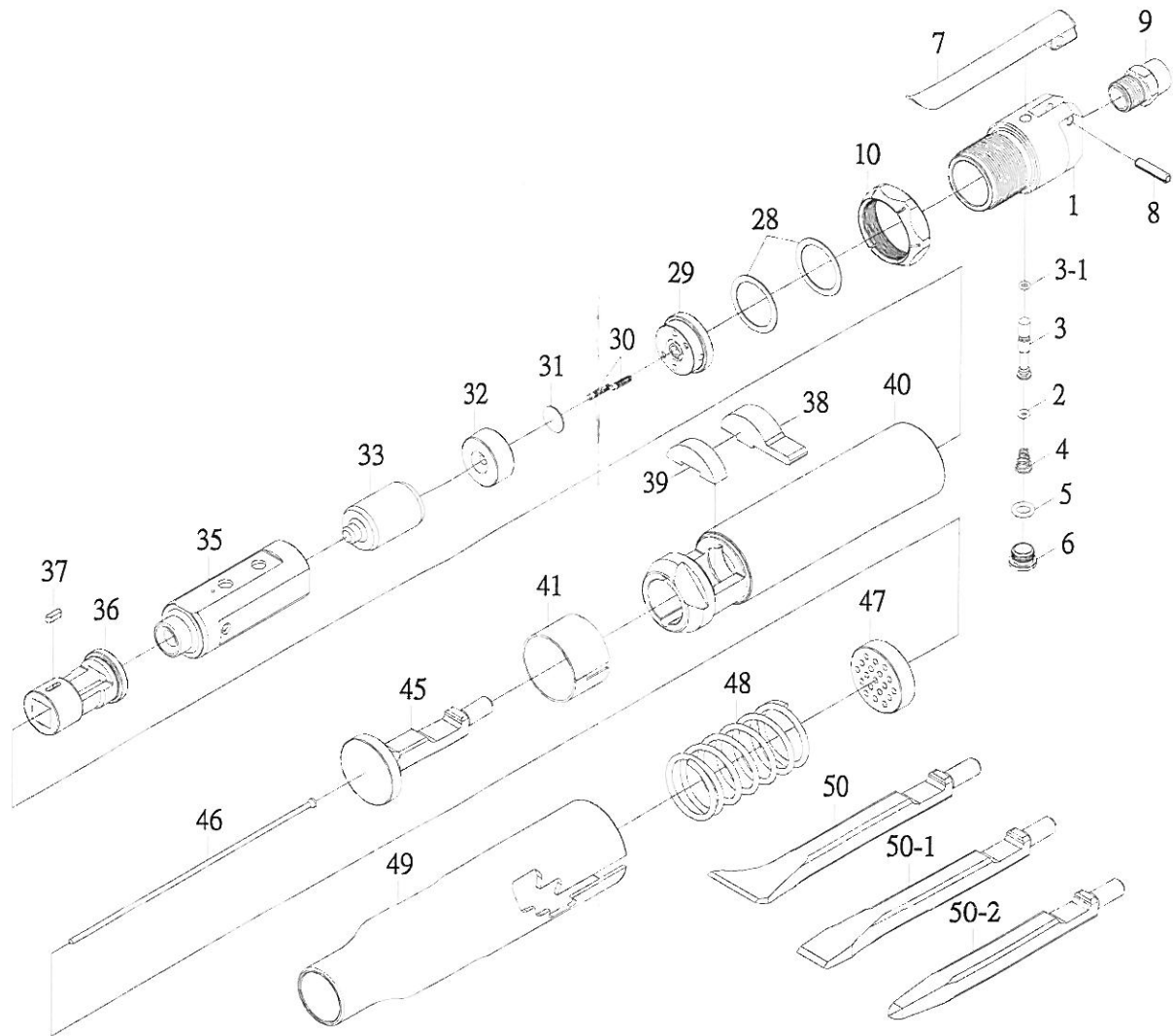


AIR NEEDLE SCALER / FLUX CHIPPER KIT



SPECIFICATION:

*BLOW PER MINUTE-----4600 BPM	*PISTON SIZE(mm)-----25.4×44
*AIR CONS-----15 CFM	*WEIGHT-----4 KG
*AIR PRESSURE-----90 PSI	*AIR INLET-----1/4"PT(NPT)
*HOSE SIZE-----3/8"ID	

REF. NO.	PART NO.	DESCRIPTION	Q'TY	REF. NO.	PART NO.	DESCRIPTION	Q'TY
1	730213	BACKHEAD	1	33	730219	PISTON	1
2	729591	"O"RING (d3.2×W1.9)	1	35	731008	BARREL SLEEVE	1
3	730214	THROTTLE VALVE	1	36	731009	NOSE	1
3-1	730214-1	"O" RING (d3.5×W1.5)	1	37	731010	KEY	1
4	730215	SPRING	1	38	730220	DRIVER RETAINER	1
5	1008365	"O" RING (d7.8×W2.4) (P8)	1	39	730221	RETAINER BUFFER	1
6	730216	VALVE CAP	1	40	730223	BARREL	1
7	730217	LEVER	1	41	730222	RETAINER CAP	1
8	729538	SPRING PIN (∅5×22L)	1	45	730224	NEEDLE DRIVER	1
9	729747	HOSE ADAPTER	1	46	730280	3mm NEEDLE SET (∅3×180L)	19
10	729597	LOCK RING	1	47	730225	NEEDLE HOLDER (3mm)	1
28	730218	ALIGNMENT SHIM	2	48	730226	SPRING	1
29	729608	REAR VALVE BLOCK	1	49	730227	FRONT NOSEPIECE	1
30	1012591	PIN	2	50	730228	CHISEL BENT (35mm)	1
31	729604	VALVE	1	50-1	730228-1	CHISEL FLAT (20mm)	1
32	729606	FRONT VALVE BLOCK	1	50-2	730228-2	CHISEL POINT	1