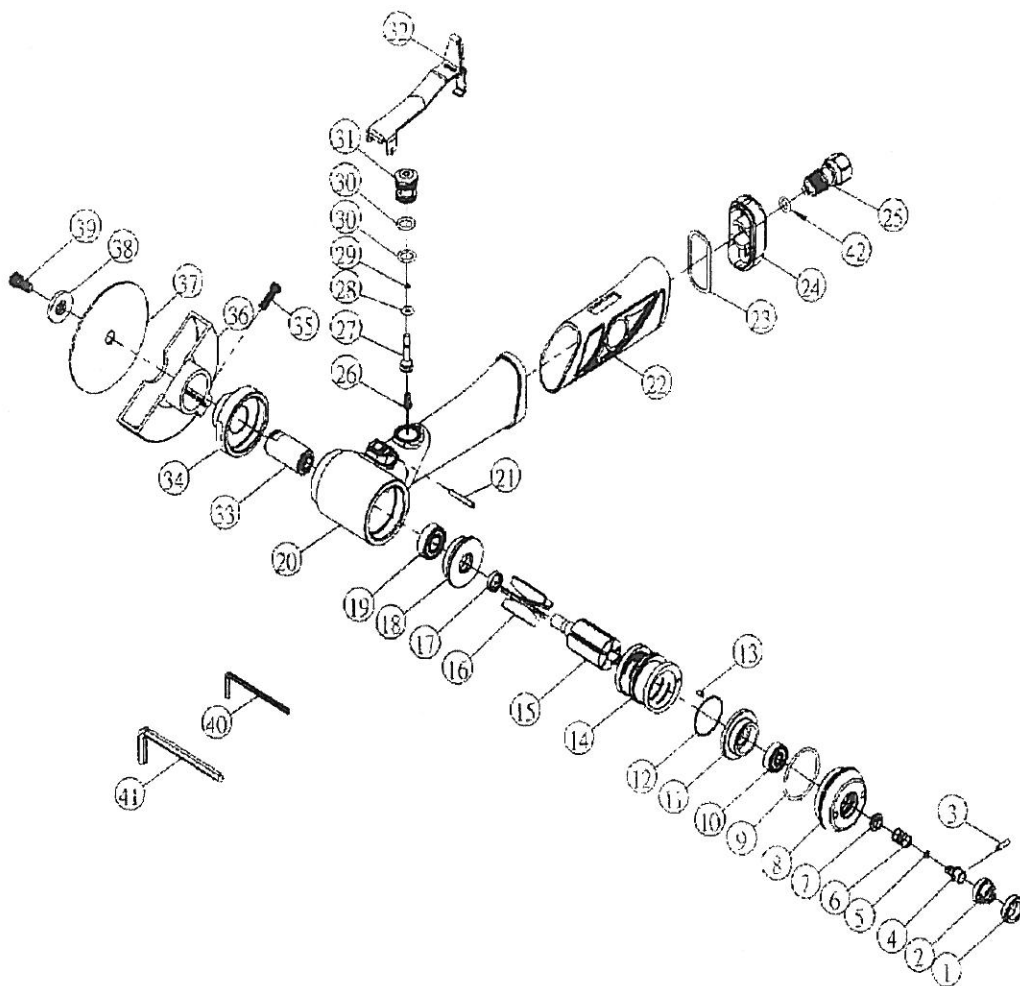




GP3203 3" Angle Cut Off Grinder



No.	Parts No.	Description	Q'ty
1	3203C01	Clamp screw	1
2	3203C02	Button Ring	1
3	3203C03	Needle Spindle	1
4	3203C04	Button	1
5	3203C05	O-Ring	1
6	3203C06	Spring	1
7	3203C07	Bush	1
8	3203C08	Cap	1
9	3203C09	O-Ring (33.5*1.78)	1
10	3203C10	Ball Bearing	1
11	3203C11	End Plate A	1
12	3203C12	O-Ring	1
13	3203C13	Pin (Ø3*5)	1
14	3203C14	Cylinder	1
15	3203C15	Rotor	1
16	3203C16	Rotor Blade	5
17	3203C17	Spacer	1
18	3203C18	End Plate B	1
19	3203C19	Ball Bearing (R6zz)	1
20	3203C20	Housing	1
21	3203C21	Lever Pin (D3*23)	1

No.	Parts No.	Description	Q'ty
22	3203C22	Cover Handle	1
23	3203C23	Washer	1
24	3203C24	Exhaust Control Spacer	1
25	3203C25	Inlet Bushing	1
26	3203C26	Spring	1
27	3203C27	Valve Stem	1
28	3203C28	O-Ring (3.6*d2.4)	1
29	3203C29	O-Ring (2.2*d0.9)	1
30	3203C30	O-Ring (P9)	2
31	3203C31	Valve Body	1
32	3203C32	Throttle Lever	1
33	3203C33	Spindle	1
34	3203C34	Front Cover	1
35	3203C35	Screw (M4*14)	1
36	3203C36	Wheel Guard	1
37	3203C37	Grinder Wheel	1
38	3203C38	Spindle Chuck	1
39	3203C39	Screw (M6*12)	1
40	3203C40	Hexagon Wrench Key (3mm)	1
41	3203C41	Hexagon Wrench Key (5mm)	1
42	3203C42	O-Ring (1.9*ID2.4)	1