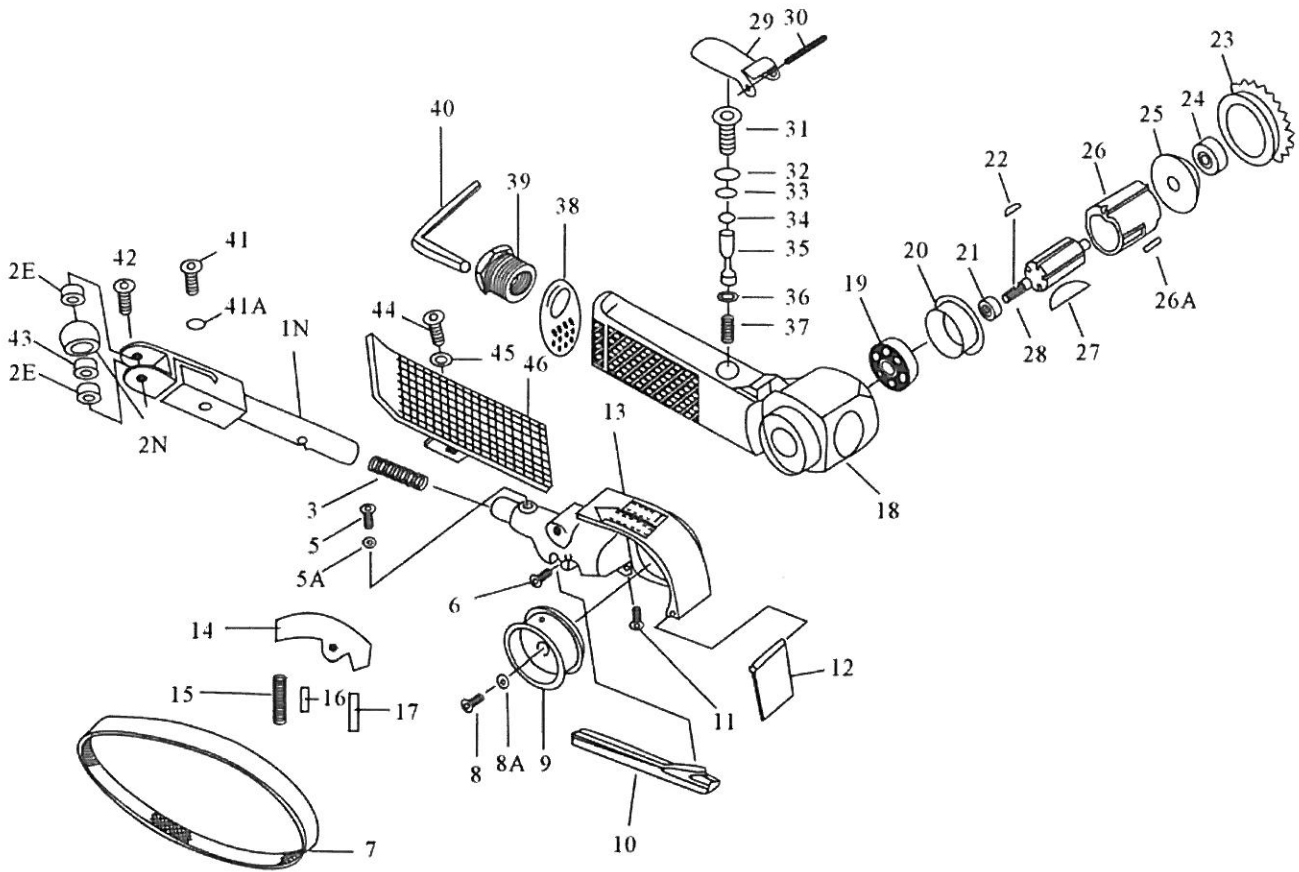




GP1265A 20mm Belt Sander



Index No.	Parts No.	Description	Q'ty
1N	311001	Tension Bar 10	1
2	311N002	Idle Pulley Assy	1SET
2N	311002D	Idle Pulley Shaft	1
2E	BB-6862	Ball Bearing	2
3	311003	Spring	1
5	311005	Hexagon Socket Head Bolt	1
5A	SWI-050B	Cup Spring	1
6	B2-0512A	Hexagon Socket Head Bolt	1
7	311007	Grinding Belt(#100)	1
7A	311007A	Grinding Belt(#80)	1
8	B2-0616A	Hexagon Socket Head Bolt	1
8A	311008A	Washer	1
9	311009	Drive Pulley	1
10	311010	Flat Shoe	1
11	B2-0515A	Hexagon Socket Head Bolt	1
12	311012	Dust Cover	1
13	311013	Guard Body	1
14	311014	Tension Bar	1
15	311015	Spring	1
16	SP-20060	Lever Pin(2*6)	1
17	SP-20080	Lever Pin(2*8)	1
18	311018	Housing	1
19	BB-R62	Ball Bearing	1
20	311020	End Plate B	1
21	311021	Spacer 10*13*3	1
22	311022	Sunk Key 2*2.5*10	1

Index No.	Parts No.	Description	Q'ty
23	311023	Cap	1
24	BB-06262	Ball Bearing	1
25	311025	End Plate A	1
26	311026	Cylinder	1
27	311027	Blade Assy	5
28	311028	Rotor	1
29	309A29	Throttle Lever	1
30	SP-30230	Lever Pin(3*23)	1
31	309A31	Valve Body	1
32	ORP-0090	O-Ring (P9)	1
33	ORP-0090	O-Ring (P9)	1
34	ORP-0050	O-Ring (P5)	1
35	302035	Valve Stem	1
36	302034	O-Ring(3.6*2.4)	1
37	309A37	Valve Spring	1
38	309A38	Defrector	1
39	306003	Air Inlet	1
40	301036	Hexagon Wrench Key4	1
41	311N041	Screw	1
41A	311N041A	C-Cliper	1
42	311N042	Idle Pulley Screw	1
43	311N043	Washer	1
44	B2-0616A	Screw	1
45	TWA-060	Spring Washer (AW6)	1
46	311004	Finger Pad Assy	1
***	311N002	2N,2E,43	1SET