

BT40 60 Degree Pull Stud

Part Number: BT504



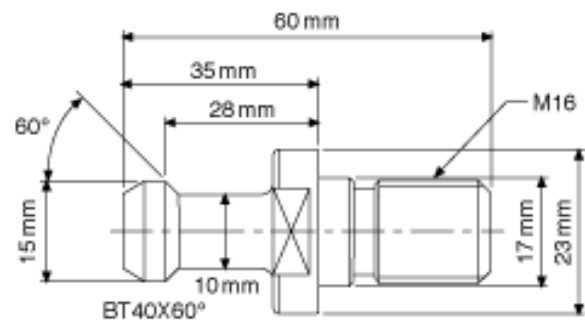
SPECIFICATIONS

Taper: BT40
Angle: 60°

SHIPPING WEIGHT: 0.05 Kg

FEATURES

- Material: SNCM 21
- Hardness: HRC 54
- MAS403



Part Number	Description	Material	Hardness	Weight
BT504	BT40 60 Degree Pull Stud	SNCM 21	HRC 54	0.05 Kg